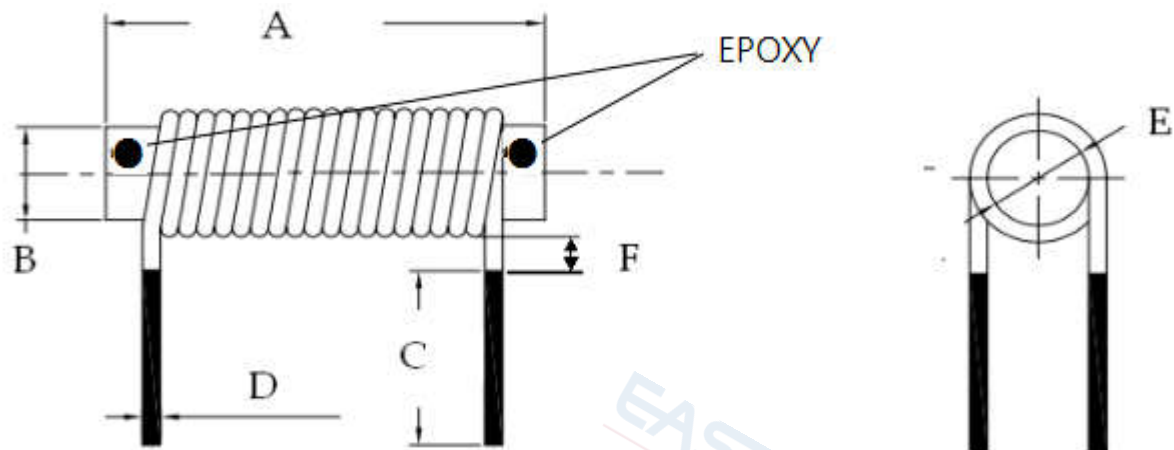


1、 DIMENSION DIAGRAM (Unit: mm)



A=10.0±0.5 B=3.0±0.2 C=10.0±2.0 D=0.35±0.05 E=3.0±0.10 F=2.0 Max

2、 BILL OF MATERIALS :

R CORE: R3.0X10.0 $U_i=800$

WIRE: 2UEW-0.35

EPOXY: TH308

3、 ELECTRICAL STRUCTURE



4、 ELECTRICAL CHARACTERISTICS:

TURNS : 19.5TS(FIXED)

TEST FREQUENCY : 1KHz/0.3V(TH2776B)

INDUCTANCE : 4.30uH±20%

RDC : 60.0mΩ Max

IDC : 0.50A Max

DRAW BY

yang lin

CHECKED BY

ye yong jun

APPROVED BY

deng gao